

BLDG A RIGHT - DWV PLAN
 FOR BUILDING A LEFT MIRROR FLOOR PLAN ABOUT THE EAST TO WEST AXIS
 SCALE: 1/4"=1'-0"

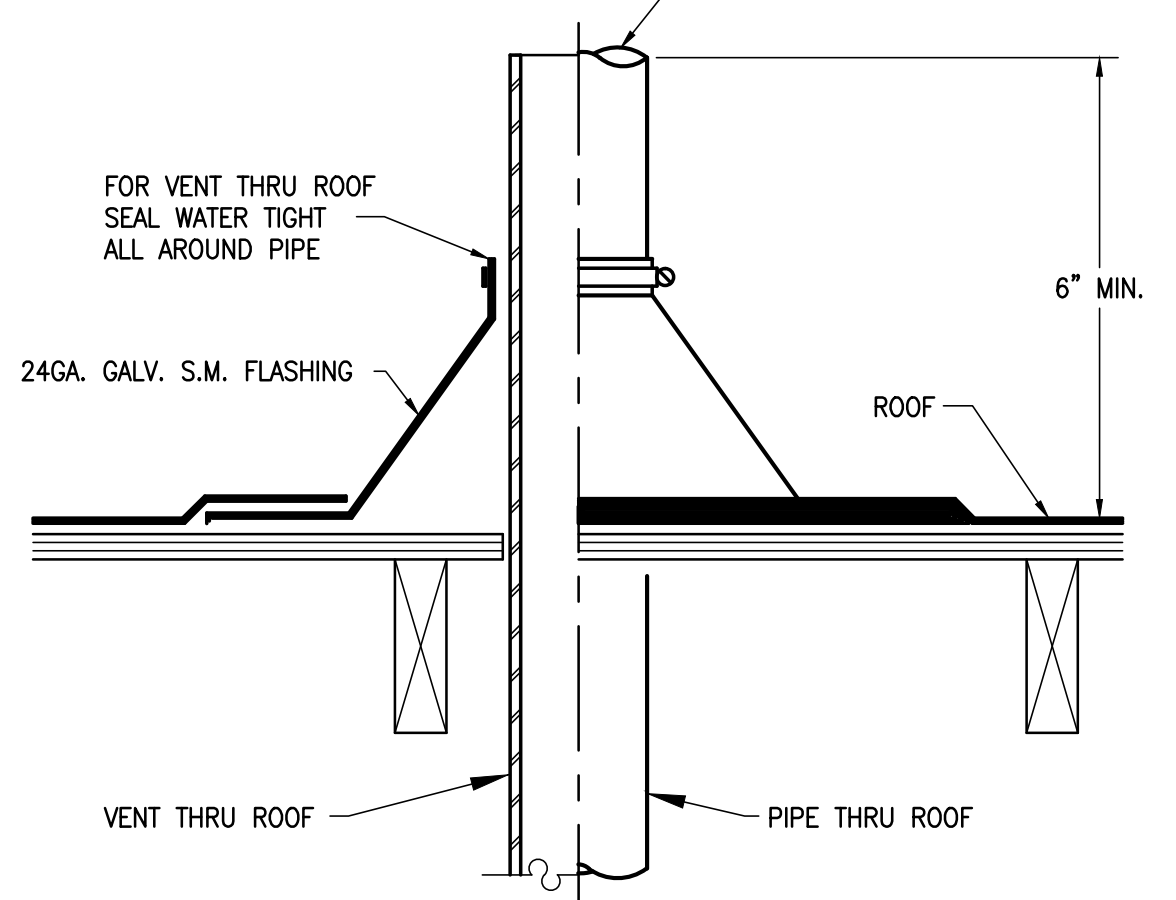
NOTE!
 FOR FLOOR PLAN ORIENTATION,
 SEE ARCHITECTURAL SITE PLAN.
 FOR EXISTING SITE UTILITIES,
 SEE CIVIL DRAWINGS.

PLAN LEFT
 SHEET TITLE
 (MIRROR VIEW)

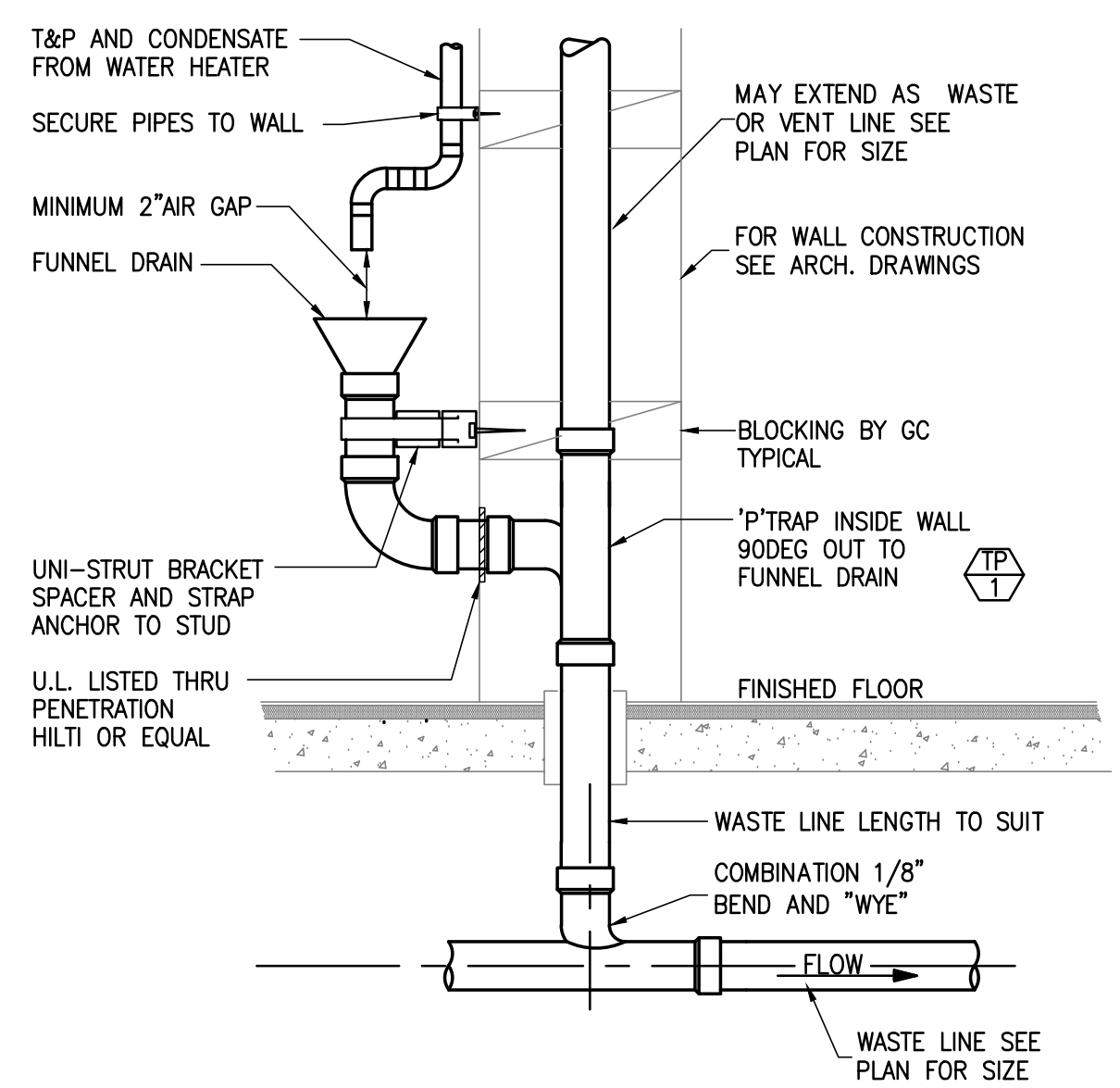
PLAN RIGHT
 SHEET TITLE
 (THIS PLAN)

VENT THRU ROOF TO TERMINATE NOT LESS THAN (10) FEET FROM OR AT LEAST (3) FEET ABOVE ANY WINDOW, DOOR, OPENING, AIR-INTAKE OR VENT SHAFT, NOR LESS THAN (3) FEET IN EVERY DIRECTION FROM ANY LOT LINE, ALLEY AND STREET EXCEPTED.

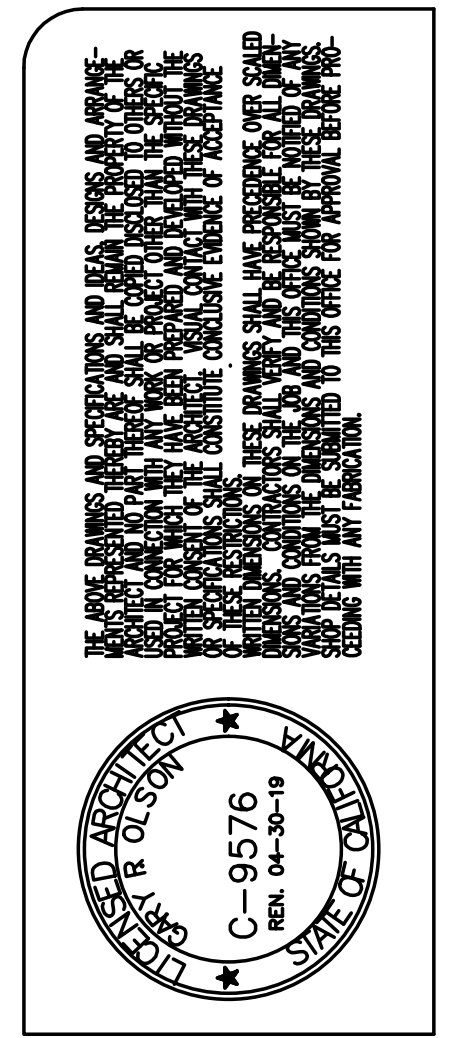
AGGREGATE VENT AREA TO BE EQUAL TO REQUIRED SEWER SIZE PER C.P.C. 2007 SEC. 904.1 SEE PLUMB. SHTS.



1 VENT/PIPE THRU ROOF - TYP N.T.S.

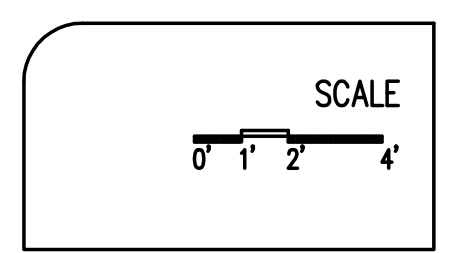


2 FUNNEL DRAIN - TYP. N.T.S.



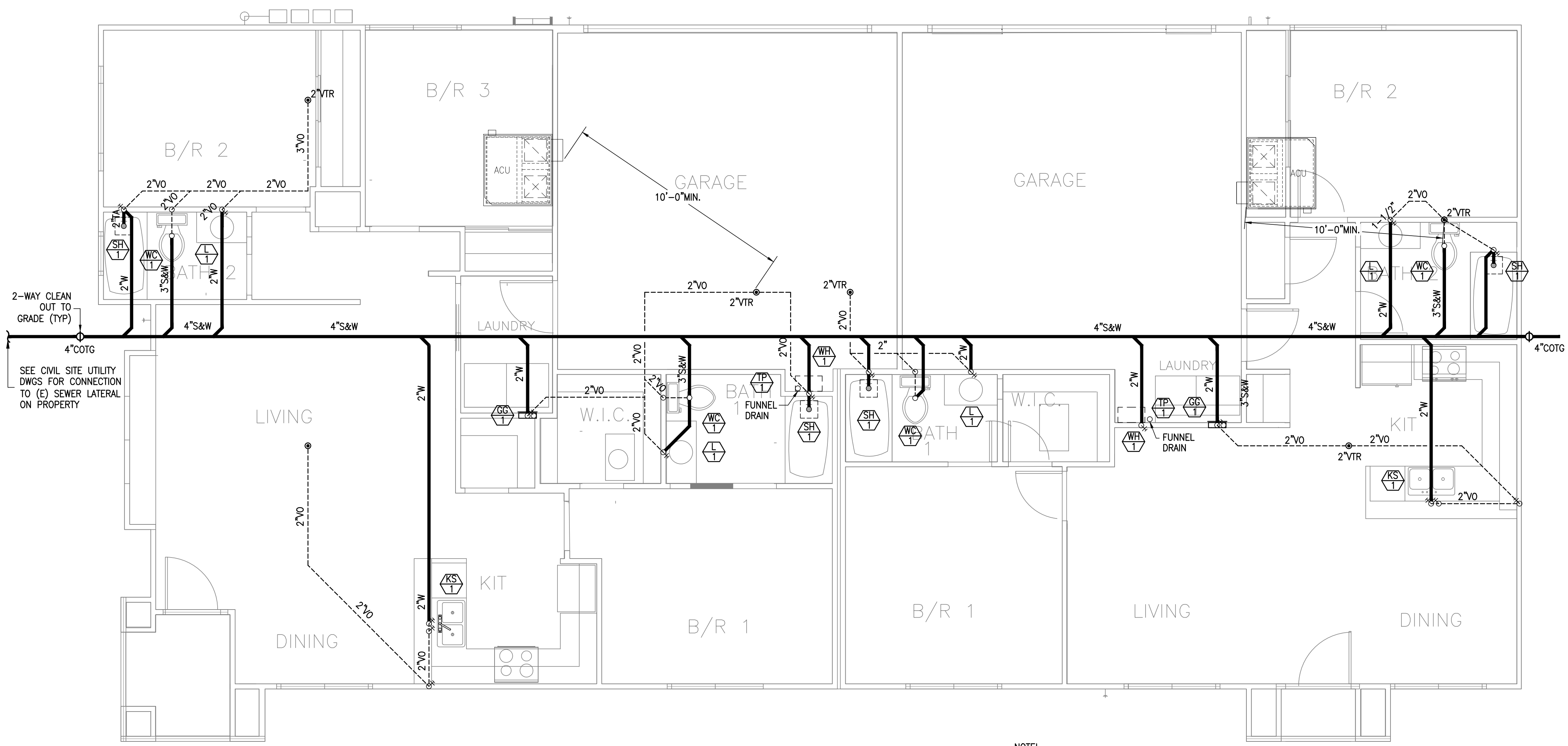
1800 21st Street, Suite D
 Bakersfield, CA 93301
 TEL: 661.325.5217
 FAX: 661.322.3686
 e-mail: info@oods-arch.com
 ARCHITECTURE + DESIGN
OLSON DESIGN STUDIO, INC.

PLUMBING, BLDG. A LEFT/RIGHT DWV PLAN
 AIRPORT TIC TRACT 7234
 BAKERSFIELD, CA



REVISION	BY

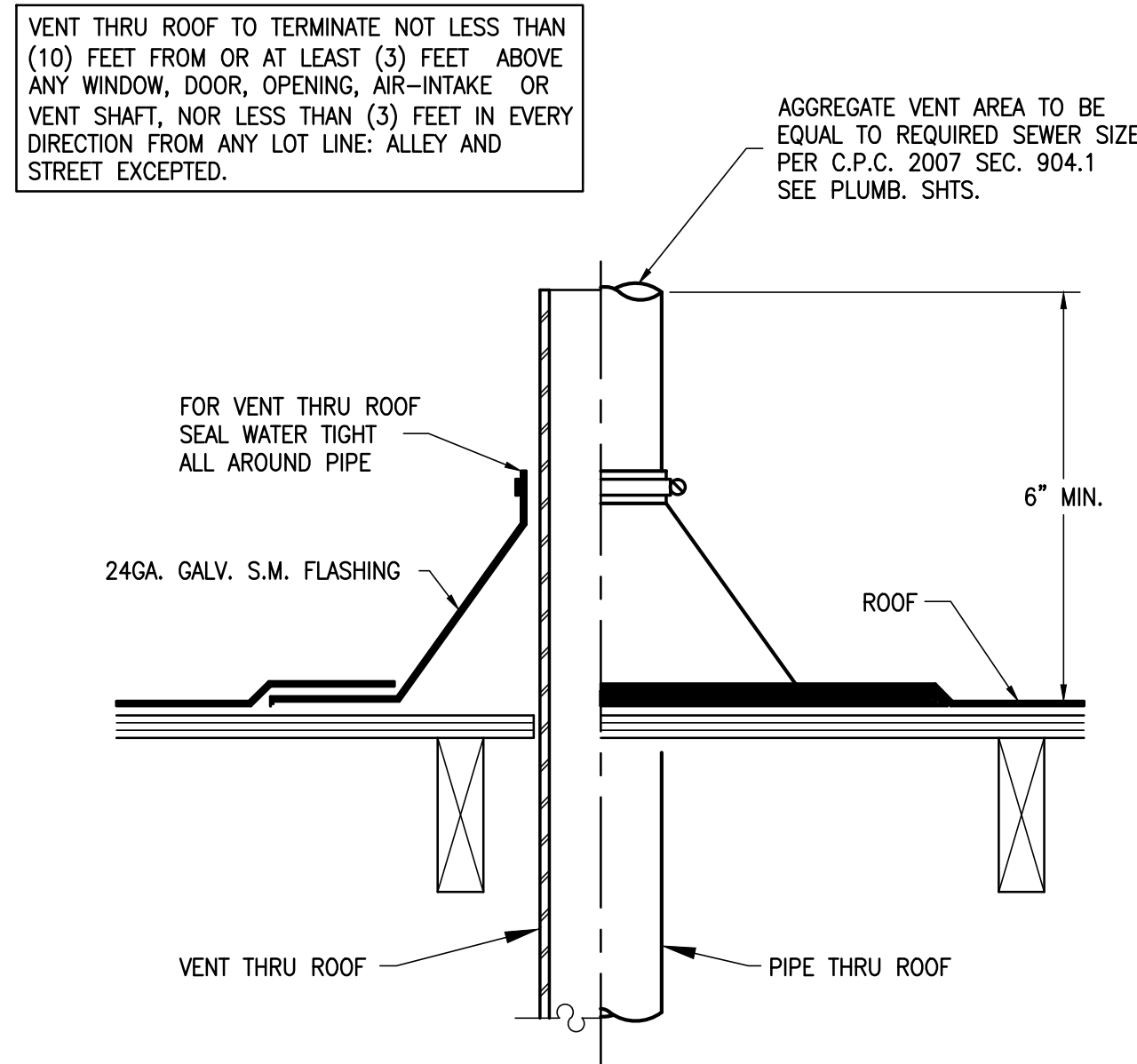
DATE: 10.07.2017
 DATE: 10.07.2017
 SCALE: 1/4" = 1'
 DRAWN: DBC
 JOB: C17-070
 SHEET No: P-01.01
 SHEETS



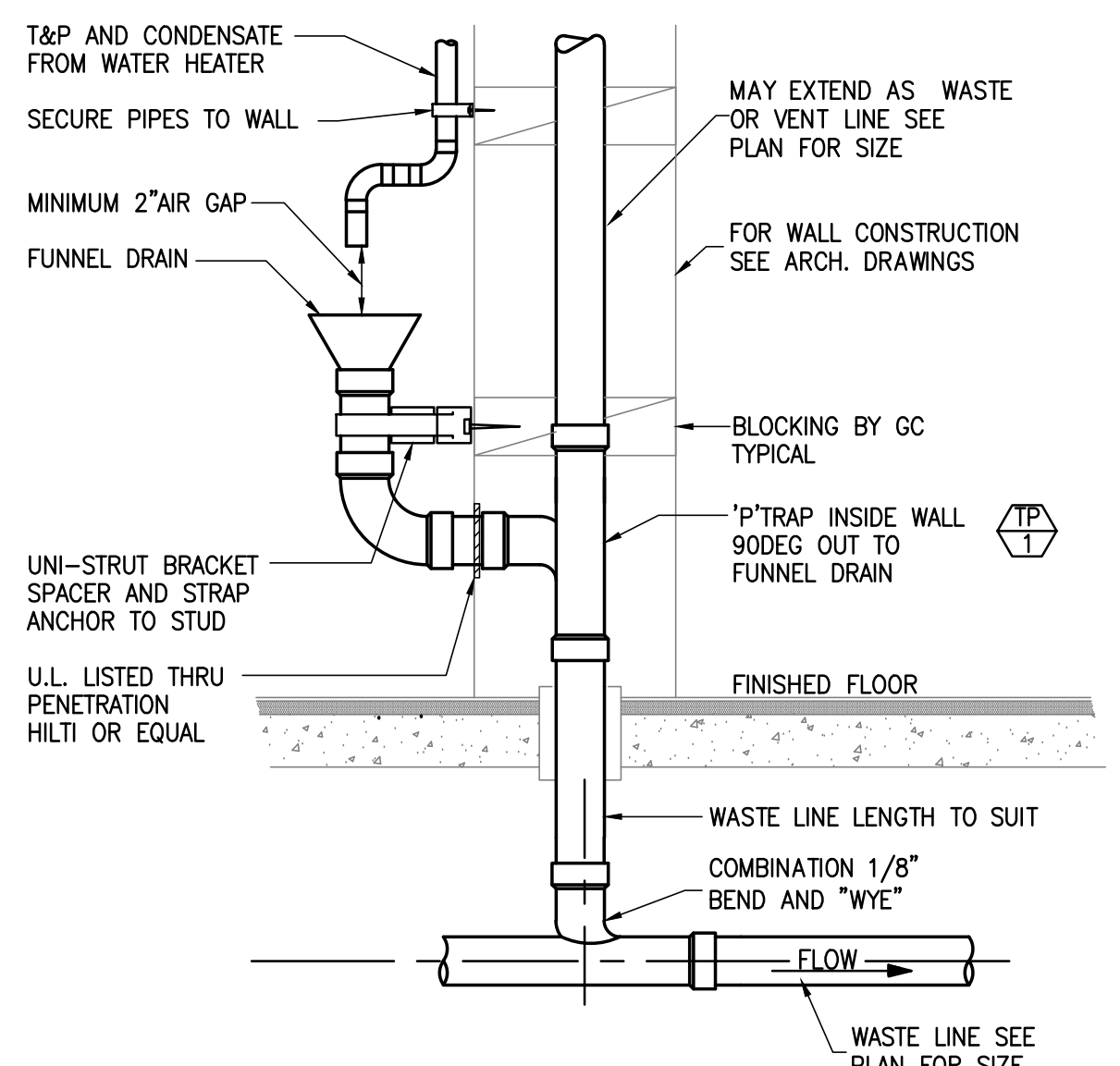
NOTE!
FOR FLOOR PLAN ORIENTATION,
SEE ARCHITECTURAL SITE PLAN.
FOR EXISTING SITE UTILITIES,
SEE CIVIL DRAWINGS.

BLDG B RIGHT - DWV PLAN
FOR BUILDING B LEFT MIRROR FLOOR PLAN ABOUT THE EAST TO WEST AXIS
SCALE: 1/4"=1'-0"

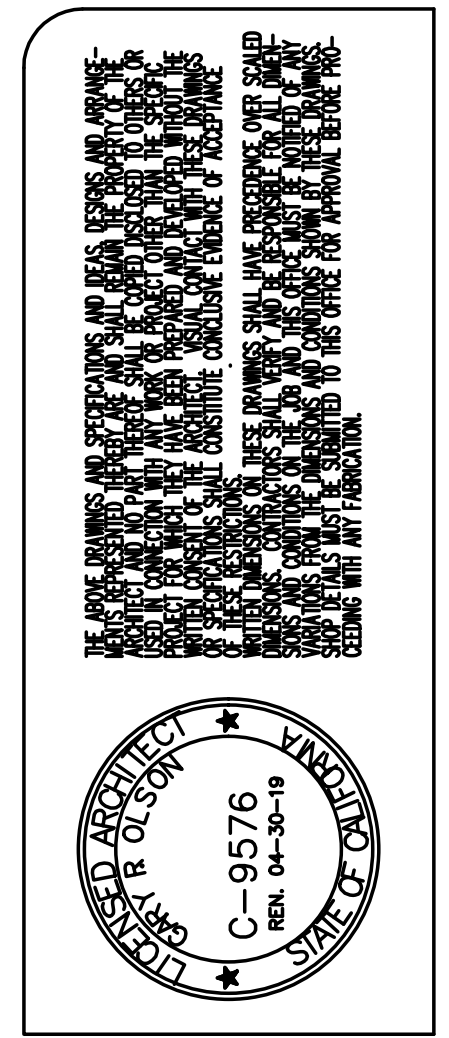
PLAN LEFT (MIRROR VIEW)
PLAN RIGHT (THIS PLAN)



1 VENT/PIPE THRU ROOF - TYP N.T.S.

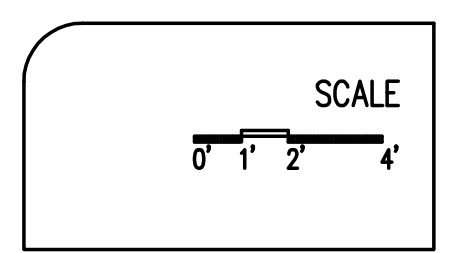


2 FUNNEL DRAIN - TYP. N.T.S.



1800 21st Street, Suite D
Bakersfield, CA 93301
TEL: 661.325.5217
FAX: 661.322.3686
e-mail: info@oods-arch.com
ARCHITECTURE + DESIGN
OLSON DESIGN STUDIO, INC.

**PLUMBING, BLDG. B LEFT/RIGHT
DWV PLAN**
AIRPORT TIC
TRACT 7234
BAKERSFIELD, CA



REVISION	BY

DATE: 10.07.2017
 DATE: 10.07.2017
 SCALE: 1/4" = 1'
 DRAWN: DBC
 JOB: C17-070
 SHEET No: P-01.02

SHEETS